

Airtouch® Height-Adjustable Worksurfaces Tables

Dimensioned Line Drawings Straight Tables

Style No.	Dim. A	Dim. B	Dim. C	Dim. D	Dim. E	Dim. F
Universal Tables						
BAPSS2442	22.25"	40.00"	15.05"	1.05"	(3.83")	1.15"
BAPSS2448	22.25"	46.00"	15.05"	1.05"	(3.83")	1.15"
BAPSS2460	22.25"	58.00"	15.05"	1.05"	(3.83")	1.15"
BAPSS3042	28.25"	40.00"	20.04"	2.06"	3.18"	.15"
BAPSS3048	28.25"	46.00"	20.04"	2.06"	3.18"	.15"
BAPSS3060	28.25"	58.00"	20.04"	2.06"	3.18"	.15"

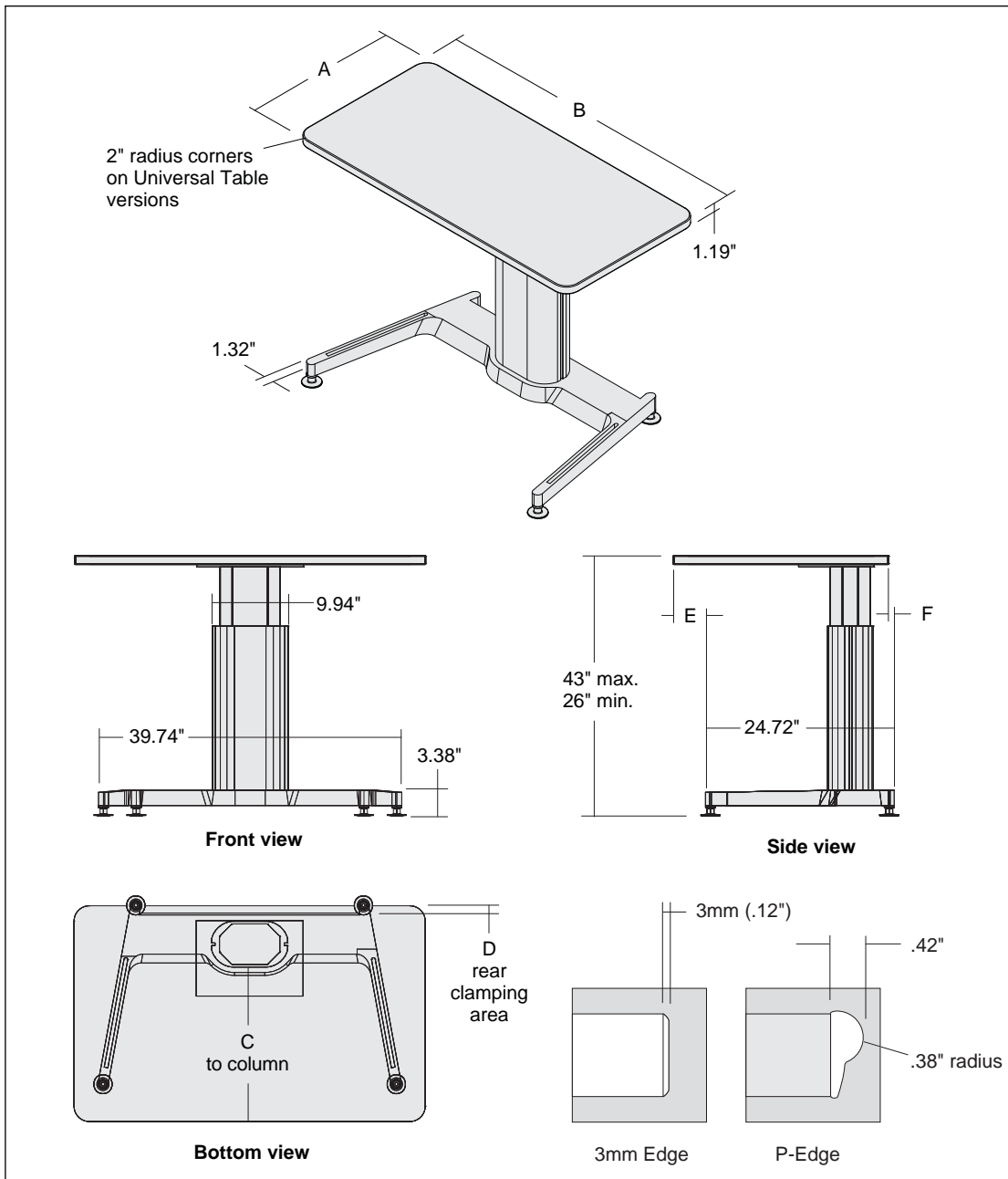
Universal Systems Worksurfaces

UAPSS2442	22.25"	40.00"	15.05"	1.05"	(3.83")	1.15"
UAPSS2448	22.25"	46.00"	15.05"	1.05"	(3.83")	1.15"
UAPSS2460	22.25"	58.00"	15.05"	1.05"	(3.83")	1.15"
UAPSS3042	28.25"	40.00"	20.04"	2.06"	3.18"	.15"
UAPSS3048	28.25"	46.00"	20.04"	2.06"	3.18"	.15"
UAPSS3060	28.25"	58.00"	20.04"	2.06"	3.18"	.15"

Series 9000 Universal Systems Worksurfaces

9UAPSS2545	22.78"	43.00"
9UAPSS3045	27.78"	43.00"

Note: Standard edge type is 3mm Edge. Add the "P" suffix to specify the front edge as P-Edge and add .30" to the depth.



features



construction



materials



print this page

details[®]
A STEELCASE COMPANY